



MULTI-DOSE BAIT GUN USER'S MANUAL

Safety Precautions

- Always wear personal protection equipment required by the insecticide label.
- Keep cap on bait tubes not in use and while transporting the bait gun.
- Always follow label directions on gel bait insecticides for use and disposal of empty syringes.

Suggested Uses

- For the application of paste or gel formulations of insecticides.
- Setting 1-4 are calibrated for syringes with paste or gel formulations.

Before Starting

- Be sure the plunger rod moves smoothly and is not bent.
- Push the rod release lever forward to move the plunger to the base of the gun.

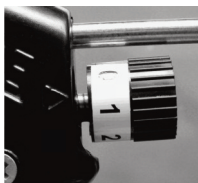
Operating Instructions

Attach Syringe

- Retract the plunger to the base of the gun.
- Place the syringe between the locking tabs and twist to the right.

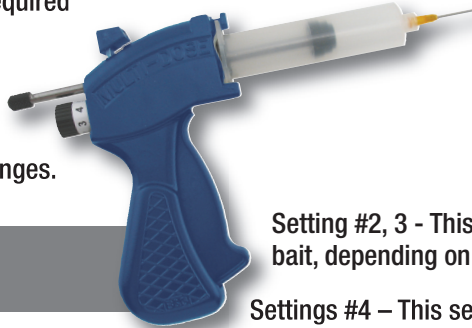
Select Setting

- Select the setting (1-4) by pulling the adjustment knob out and turning to the right or left.
- Align number with the triangle point on the side of the gun.



Plunger Rod Maintenance

- The Plunger Rod does not need oil or any lubrication.
- The addition of oil to the Plunger Rod will result in dirt sticking to it and blocking movement.

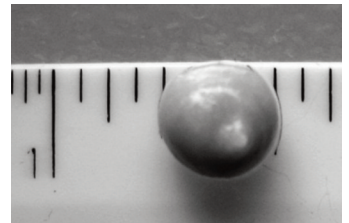


Operation

Setting #1 – This setting will deliver the 1/4 inch or the 0.25 gram placement recommended by all the major gel-bait products, including Advance, Advion, Alpine, Invicta, Maxforce, and Vendetta.

Setting #2, 3 - This setting typically delivers 0.35 grams of bait, depending on the product.

Settings #4 – This setting will deliver the 0.50 gram placement recommended by the label on Advance, Advion, Alpine, and Vendetta. Two (1 gram) or three (1.5 grams) trigger pulls will deliver the large placements for Maxforce.



Care and Maintenance

- When not in use, store the gun so that the plunger rod will not be damaged or bent.

Note: Always start with a fresh bait tube each day. Over time, when exposed to air, some baits tend to solidify and make the gun difficult to operate.

Damaged Plunger Rod

- To replace the rod, *do not* take the gun apart.
- Unscrew and remove the end of the plunger rod, then lightly press the release knob and pull the rod out of the back of the gun
- Insert new rod carefully through back of the gun, then attach the tip of the rod.

Trouble Shooting

Problem: Syringe does not hold securely to gun
Solution: • Check for o-ring, replace if missing.

Problem: No bait delivered with trigger pull
Solution: • Check the tip of the syringe for dry bait plug; check the position of the plunger rod against the back of the syringe.

Problem: Bait continues to drip after trigger pull
Solution: • Select a lower setting.