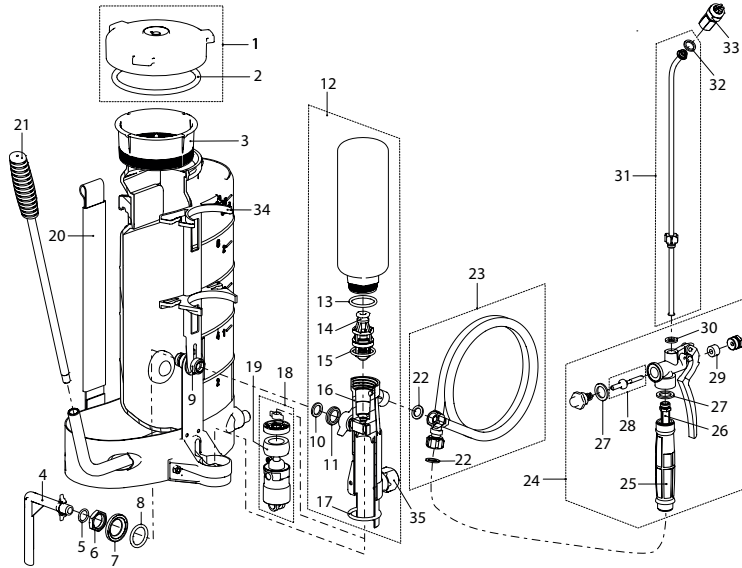




Spray-Matic 10 B



Spray-Matic 10 B, backpack sprayer (10 litres) with Viton seals and fanjet nozzle		11839201	010083
Accessories (Pictures see page 66 ff)			
Extension tube straight 1 m, brass, thread G1/4"-G1/4"e		10960601	100463
Comfort set (incl. waist belt and shoulder padding)		11807202	110035
CF valve (constant flow) 2.0 bar (also available as 1.0 bar; 1.45 bar)		11698401-SB	040707
Carrying belt extra long, pair		11444910	040868
Rim protector 1 m		11978801	400891
No	Gasket set pump and tank consisting of:	10855902	110646
2	Gasket 108x7		
5	O-ring 11.11x1.78		
8	O-ring 19.5x3.0		
10	Gasket 14x9x1.5		
13	O-ring 31.34x3.53		
15	O-ring 23.47x2.62		
17	O-ring 31.34x3.53, O-Ring 31x4 (2008-2011)		
No	Gasket set spraying equipment consisting of: 22, 26, 27, 28, 29, 30, 32	10600202	110653
No	Spare parts		
1	Lid complete ø137 mm	10397202-SB	151007
3	Filter screen	77009699-SB	151038
4	Suction bend with o-ring (Pos.5)	10962302	110660
6	Nut G1/2", minimum order qty. 5 pcs	41206701	040875
7	Washer, minimum order qty. 5 pcs	44226001	040882
9	Nipple	10950701	040899
11	Threaded ring, minimum order qty. 5 pcs	10932301	110677
12	Pump complete without piston	10962503	110684
14	Valve complete	11388502	110691
16	Valve casing	10803701-SB	710082
18	Piston complete Viton	11051202	110707
19	Rubber piston ring viton	26200302	110714
20	Carrying belt, pair	11444905-SB	111223
21	Pump lever	11631302	040912
23	Hose 1.5 m G1/2"-G1/2", oil resistant	11956301	400501
24	Trigger complete brass	10504018	100999
25	Handle plastic	10392201-SB	100944
26	Filter	10828301	113067
30	Gasket 11.9x7x1.5 viton; 12 pcs per pack	11642404-SB	040042
31	Spray tube 50 cm, curved, brass	11370704	700311
32	Gasket 17x12.7x2; 10 pcs per pack	11642403	040035
33	Fanjet nozzle complete TeeJet 8002 brass	11612810	110561
34	Spray tube holder	11419601-SB	100036
35	Grease piston, minimum order qty. 5 pcs	10865201	040936