



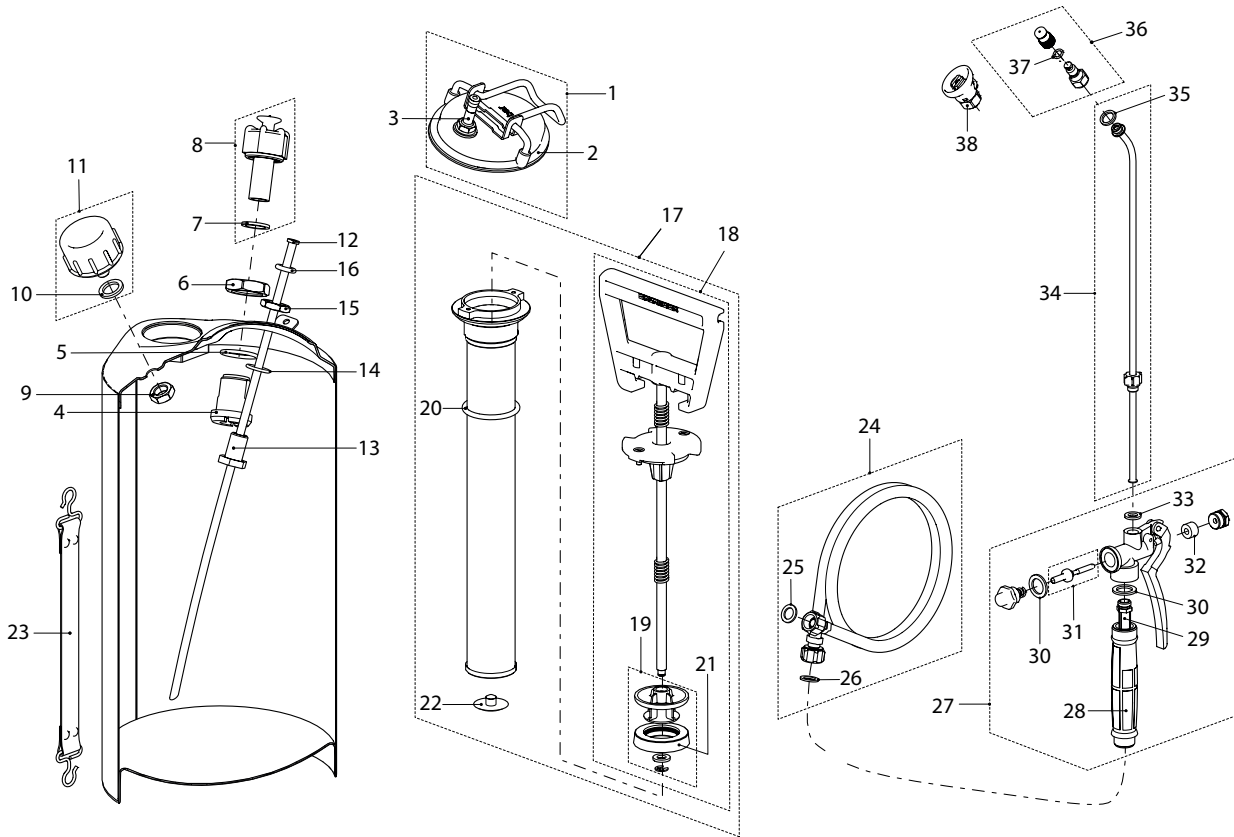
Spray-Matic 5 S



Spray-Matic 5 SI



Spray-Matic 5 S, hand pump and compressed-air union	11381701	122014
Spray-Matic 5 SI, without hand pump, with compressed-air union	11868401	110721
Spray-Matic 5 SI, stainless steel hand pump and compressed-air union	11840101	012087
Accessories (Pictures see page 66 ff)		
Rim protector 1 m	11978801	400891
Carrying unit universal	11828301	110738
Pump assy., stainless steel, viton	11833017	110752
Two hand grip	11887301	040578
Closing cap with handle (instead of hand pump)	11380601	100630
Extension tube straight 1 m, brass, thread G1/4"i-G1/4"e	10960601	100463
Spray tube 1 m, stainless steel, G1/4"e-G1/4"e	11669802	110578



<i>No</i>	<i>Gasket set consisting of:</i>	<i>For model</i>	11390201-SB	700830
7	Gasket 21x15.4x2	5S / 5SI		
10	Gasket 14x9.7x1.5	5S / 5SI		
16	O-ring 5.28x1.78	5S / 5SI		
21	Sleeve	5S / 5SI		
22	Pump gasket	5S / 5SI		
No	Gasket set spraying equipment consisting of:		10856501-SB	700823
25	Gasket 11x7.6x2	5S / 5SI		
26	Gasket 17x11x1.5	5S / 5SI		
30	Gasket 24x16.2x2	5S / 5SI		
31	Valve with gasket	5S / 5SI		
32	Gland packing	5S / 5SI		
33	Gasket 11.9x7x1.5	5S / 5SI		
35	Gasket 17x12.7x2	5S		
35	Gasket 17x11x1.5	5SI		
37	O-ring 7.66x1.78	5S		
No	Spare parts	Für Gerät		
1	Filler cap with valve complete	5S / 5SI	11647111	110769
2	O-ring 86x6	5S / 5SI	50117140	701141
3	Valve	5S / 5SI	11417101	110776
4	Nipple M24x2, minimum order qty. 5 pcs	5S / 5SI	10473601	701059
5	O-ring 23.81x2.62, minimum order qty. 5 pcs	5S / 5SI	50117048	701240
6	Nut M24x2, minimum order qty. 5 pcs	5S / 5SI	10473501	701042
8	Safety and relief valve 6 bar	5S / 5SI	11617903-SB	710198
9	Hexagon nut G1/8", minimum order qty. 5 pcs	5S / 5SI	10806101	701073
11	Manometer	5S / 5SI	10409601	701066
12	Suction tube L = 382 mm	5S / 5SI	11379702	110806
13	Nipple G1/4"	5S / 5SI	10984501	110813
14	O-ring 12.42x1.78, minimum order qty. 5 pcs	5S / 5SI	50117023	701165
15	Nut G1/4"	5S / 5SI	41208002	110820
17	Brass pump complete	5S / 5SI	11881701	122328
18	Piston rod complete	5S / 5SI	11881703	122335
19	Spare part kit sleeve	5S / 5SI	11926401	113623
20	O-ring 40x4, minimum order qty. 5 pcs	5S / 5SI	50117077	110844
21	Sleeve; 6 pcs per pack	5S / 5SI	11642701-SB	040059
23	Carrying belt complete	5S / 5SI	10453601	100739
24	Hose 1.5 m G1/4"-G1/2", oil resistant	5S / 5SI	11901501	400204
27	Trigger complete brass	5S	10504018	100999
27	Trigger complete brass nickel	5SI	10504017	100616
28	Handle plastic	5S / 5SI	10392201-SB	100944
29	Filter	5S / 5SI	10828301	113067
34	Spray tube 40 cm, curved brass	5S	11370703	700281
34	Spray tube 50 cm, curved stainless steel	5SI	11669801	110622
35	Gasket 17x12.7x2; 10 pcs per pack	5S	11642403	040035
35	Gasket 17x11x1.5; 10 pcs per pack	5SI	11927301	113739
36	Adjustable nozzle 1.3 mm brass	5S	28502598-SB	100173
38	Fanjet nozzle PP/Viton complete TPU 8002 PP	5SI	11932703	400198